

980nm PM High Power Isolator



Features

Low Insertion Loss
 High Isolation
 High Power Handling
 High Return Loss

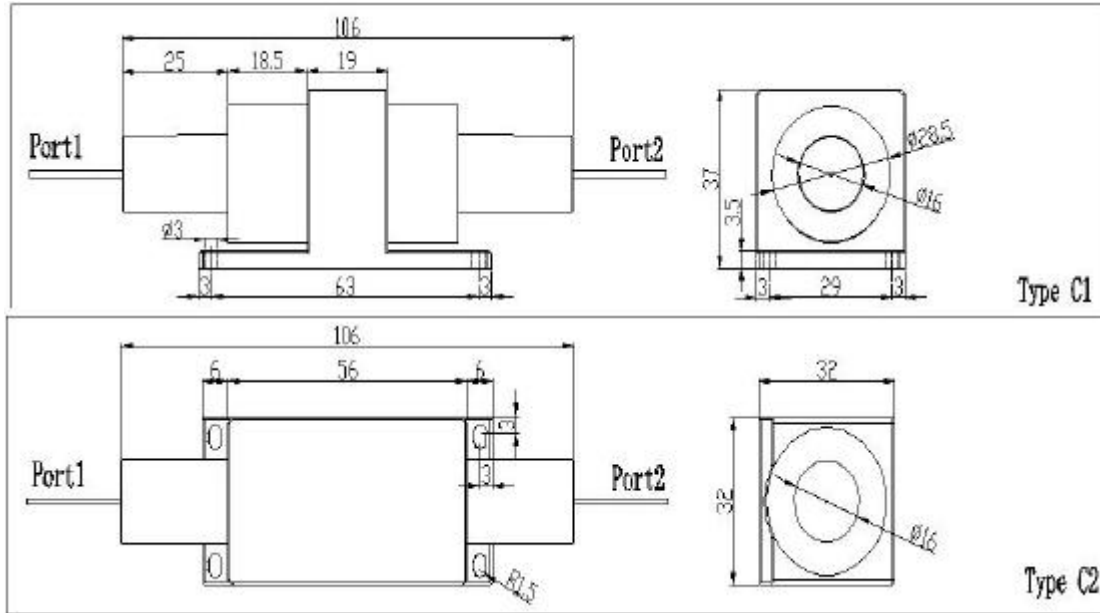
Applications

Fiber Laser
 Instrumentation
 Fiber Amplifier
 Lab Research

Performance Specifications

Parameters	Unit	Values
Center Wavelength (λ_c)	nm	980
Operating Wavelength Range	nm	± 10
Min. Extinction Ratio (only for B Type)	dB	20
Min. Extinction Ratio (only for F Type)	dB	22
Typ. Peak Isolation	dB	30-35
Min. Isolation at 23°C	dB	25
Typ. Insertion Loss at 23°C	dB	0.8
Max. Insertion Loss at 23°C	dB	1.2
Min. Return Loss (input/output)	dB	50/50
Max. Optical Power (CW)	W	1
Max. Tensile Load	N	5
Fiber Type		PM 980 Panda Fiber
Operating Temperature	°C	'0 to +60
Storage Temperature	°C	-20 to+75

Size



Ordering Information

HPMI-①①-②②-③③-④④-⑤⑤-⑥⑥

①①: Wavelength

98 - 980nm

SS - Specify

②②: Package Type

C1 - Type C1

C2 - Type C2

③③: Axis Alignment

F - Fast Axis Blocked

B - Both Axis Working

④④: Connector Type on Port 1 & 2

1 - FC/UPC

2 - FC/APC

3 - SC/UPC

4 - SC/APC

N - None

S - Specify

⑤⑤: Fiber Type on Port 1 & 2

L - 900um Loose Tube

C - 3mm Loose Cable

S - Specify

⑥⑥: Fiber Length

0.8 - 0.8m

S - Specify